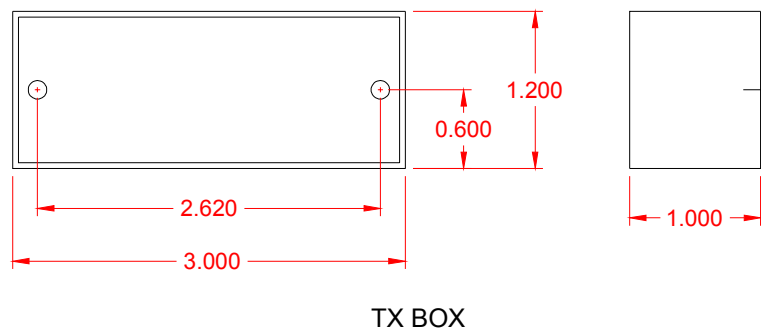
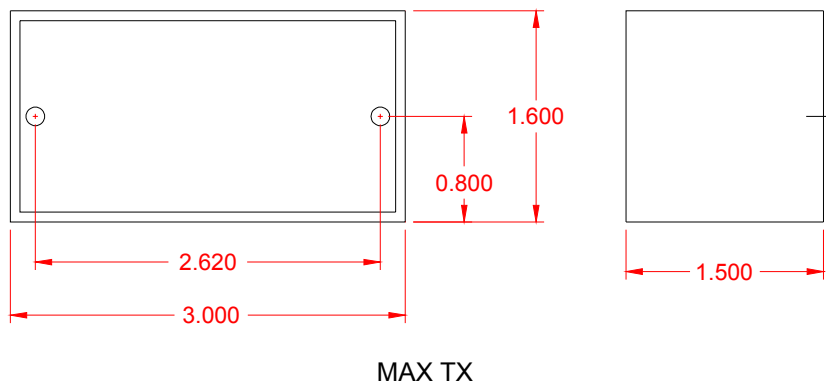
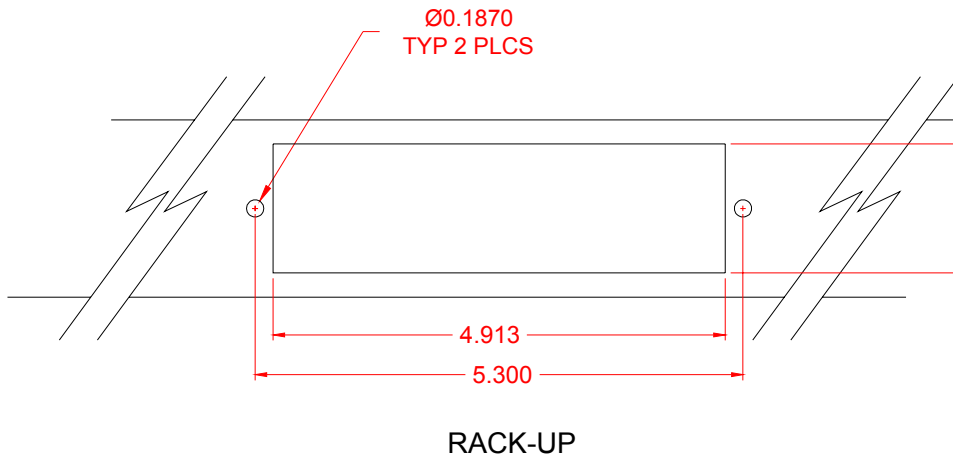
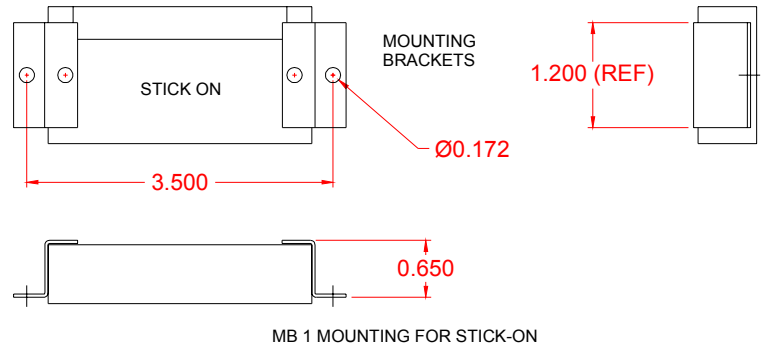
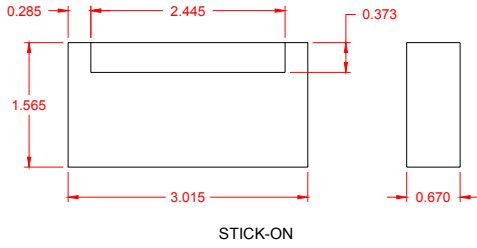
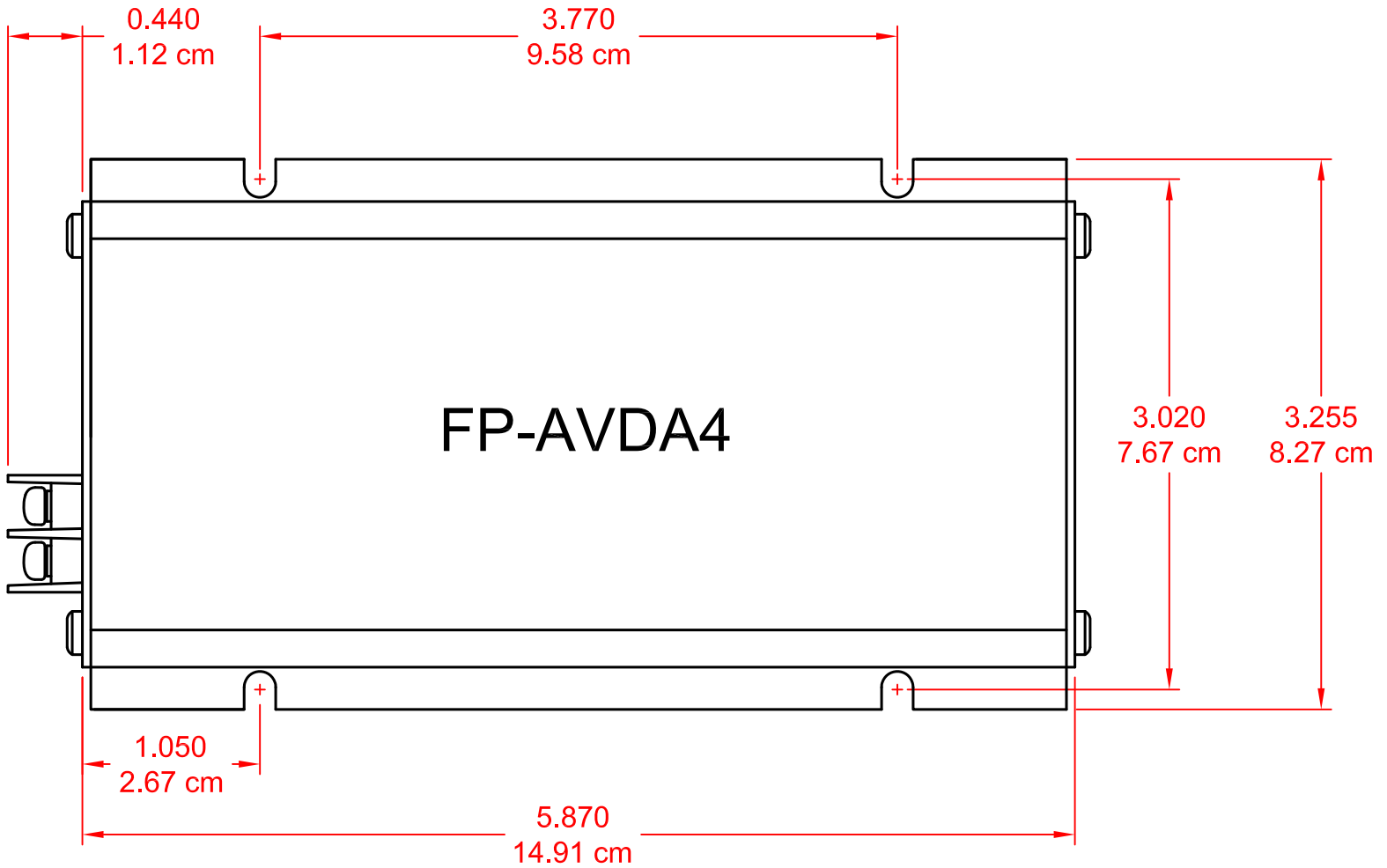
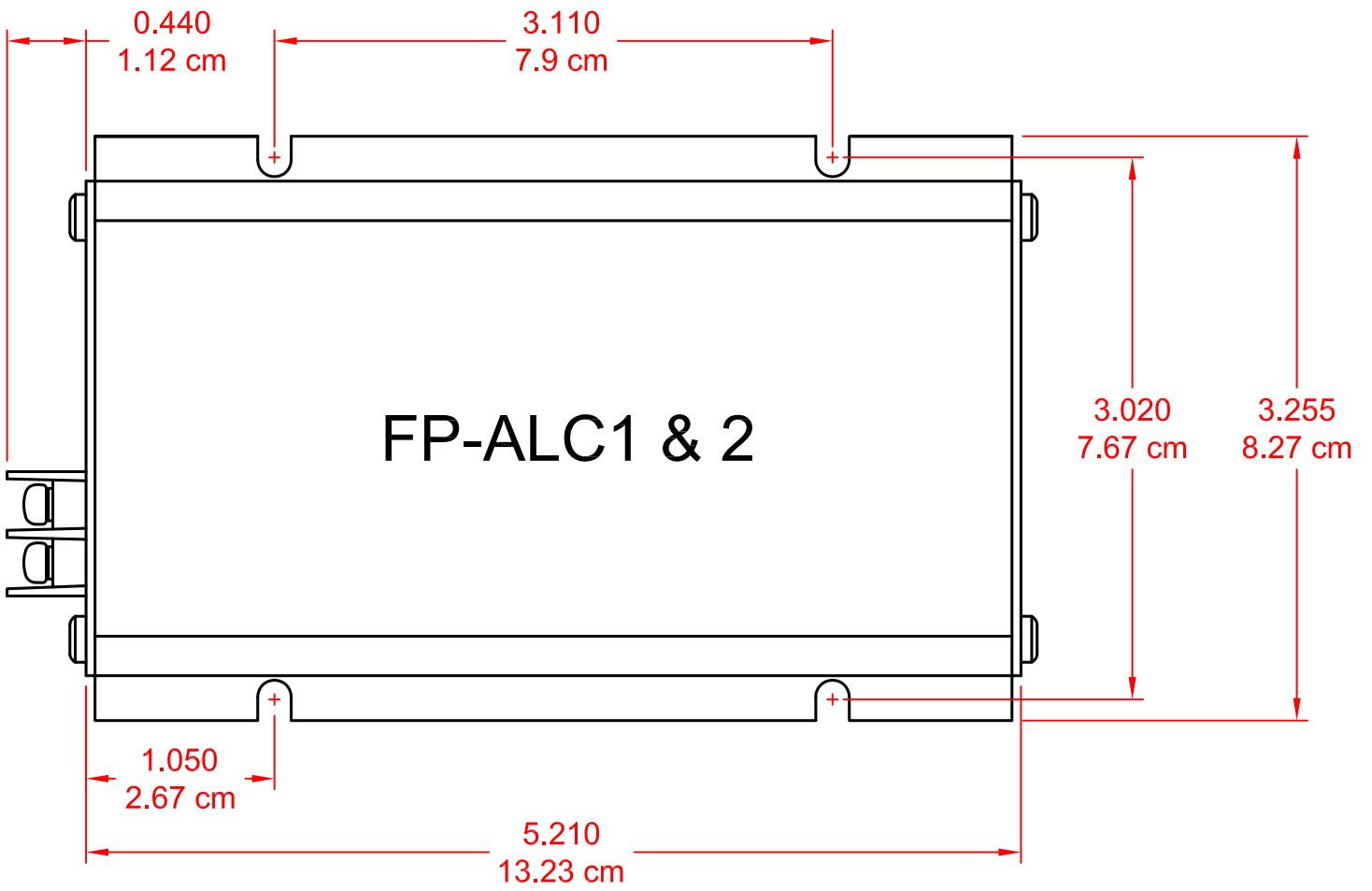
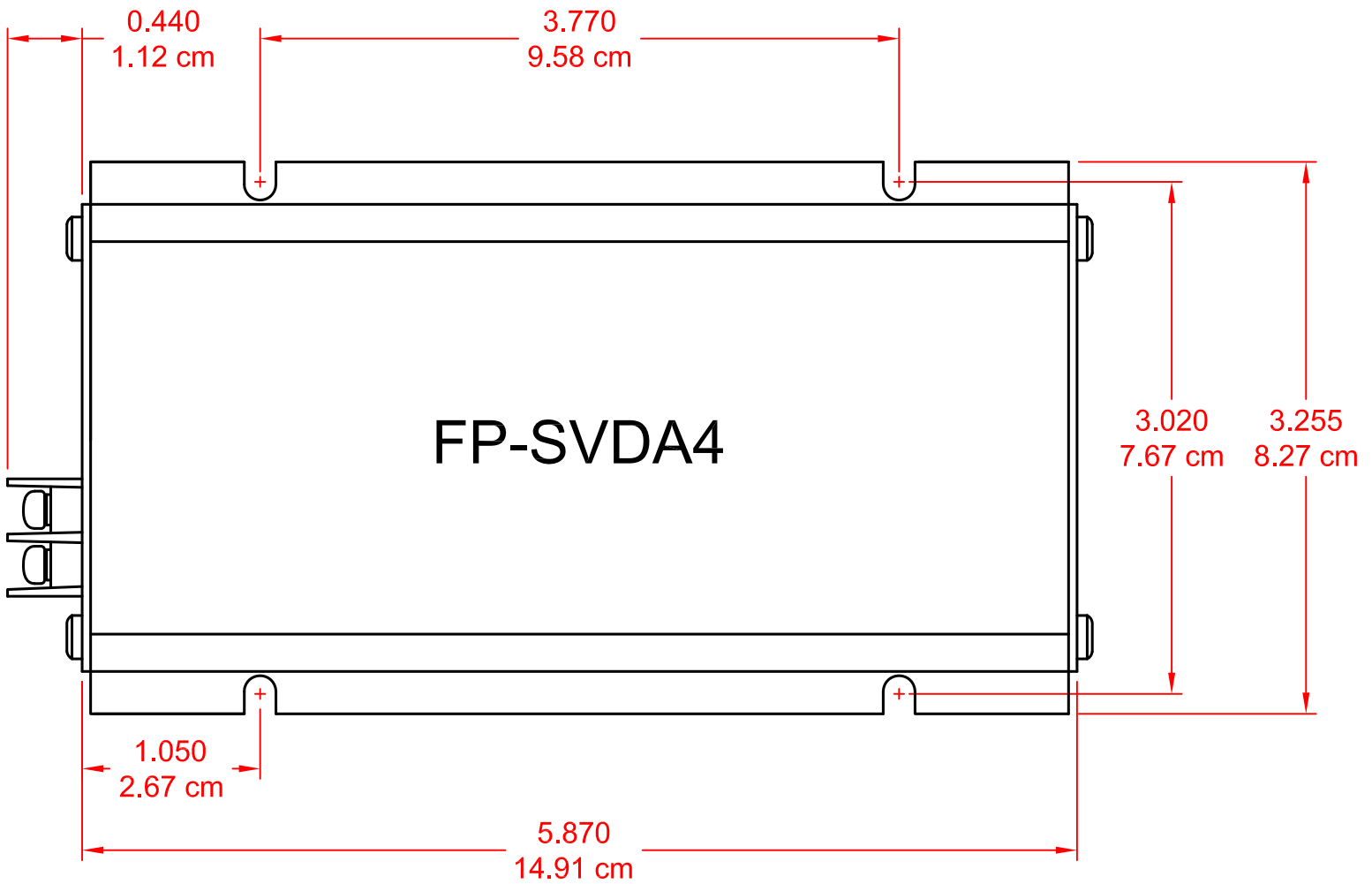
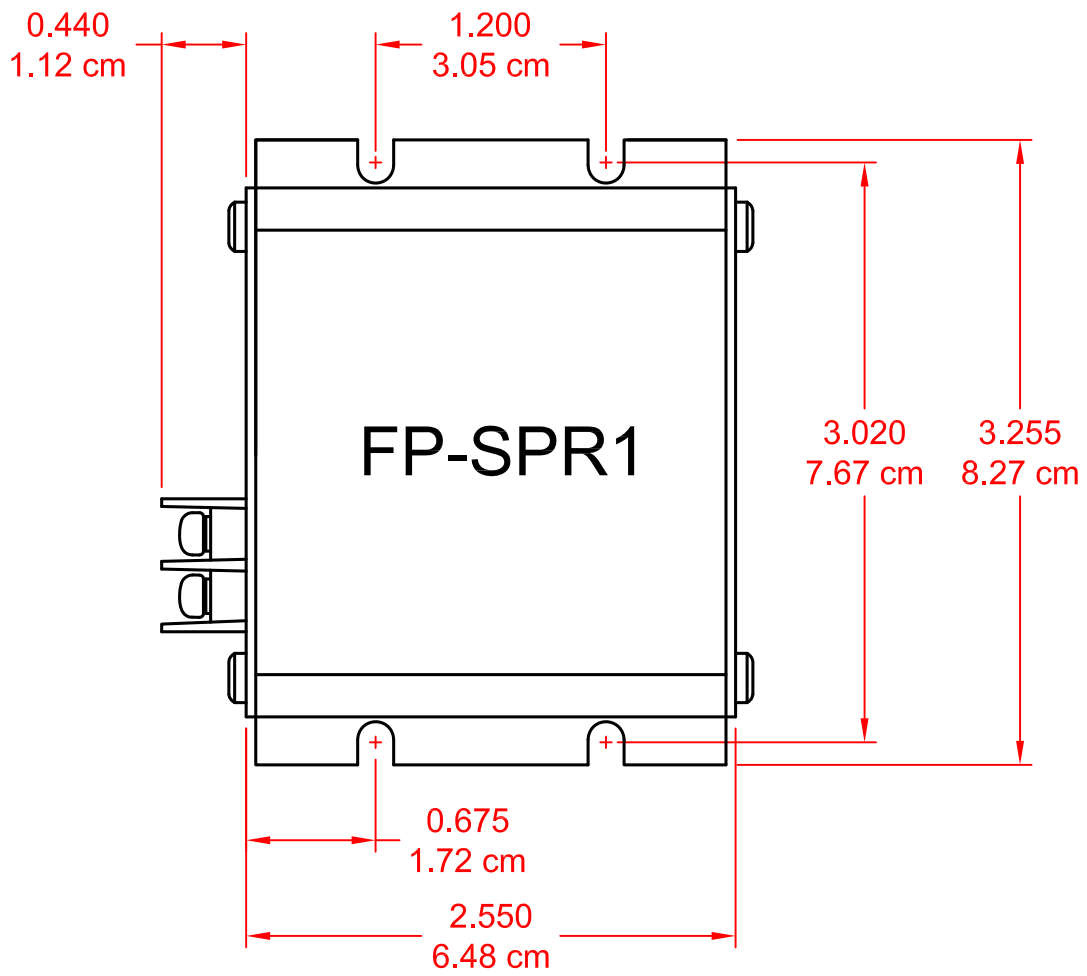
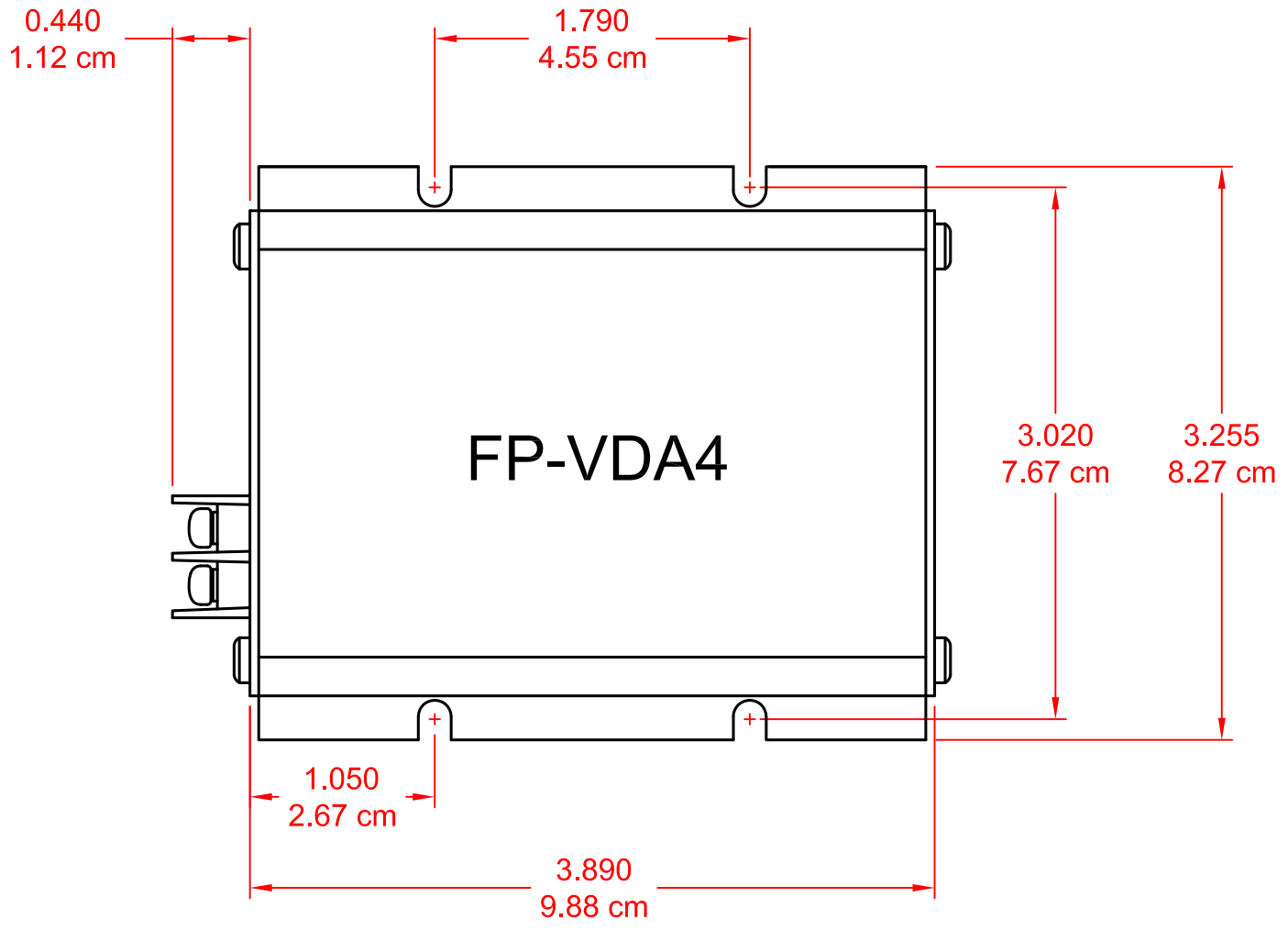
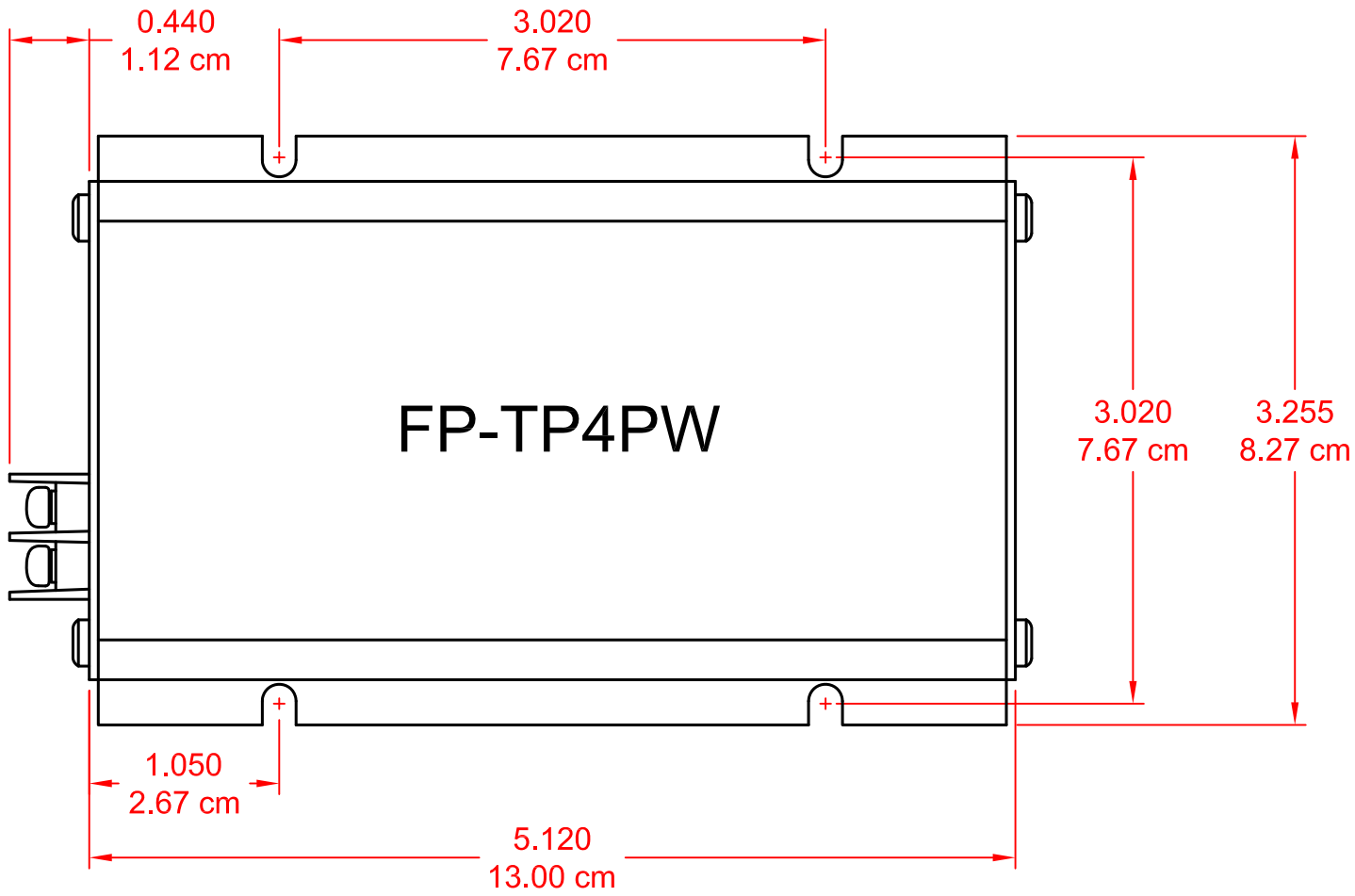


STICK-ON® AND RACK-UP® SERIES MOUNTING DIMENSIONS

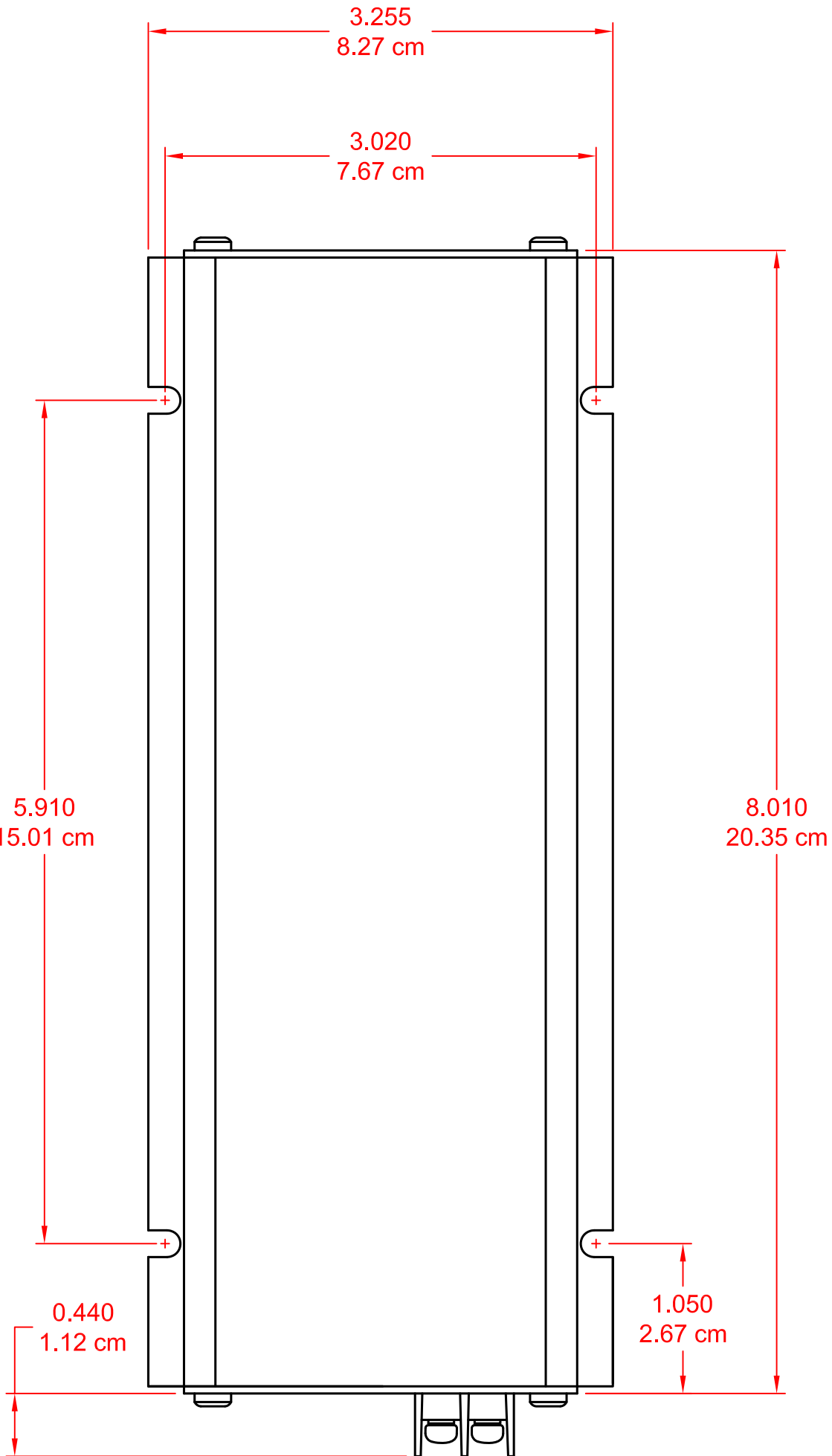






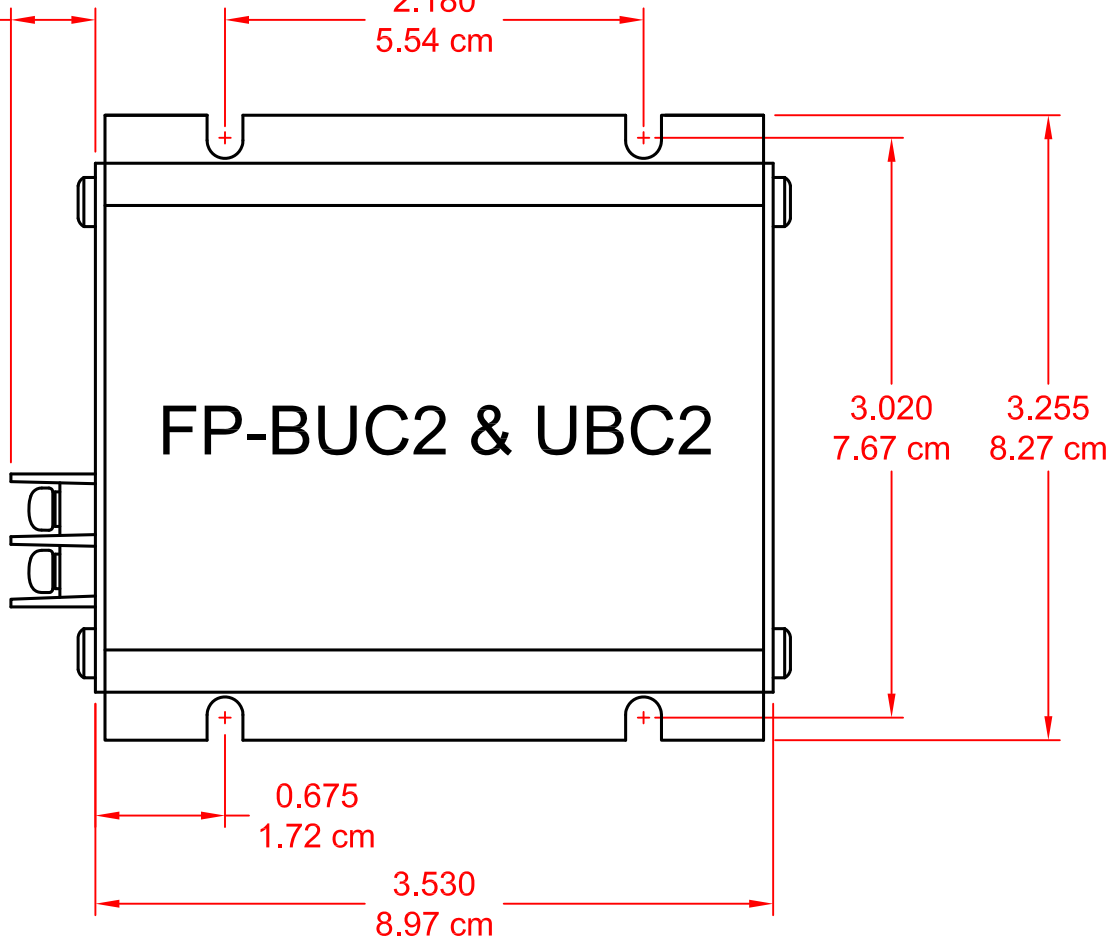


FP-UBC6



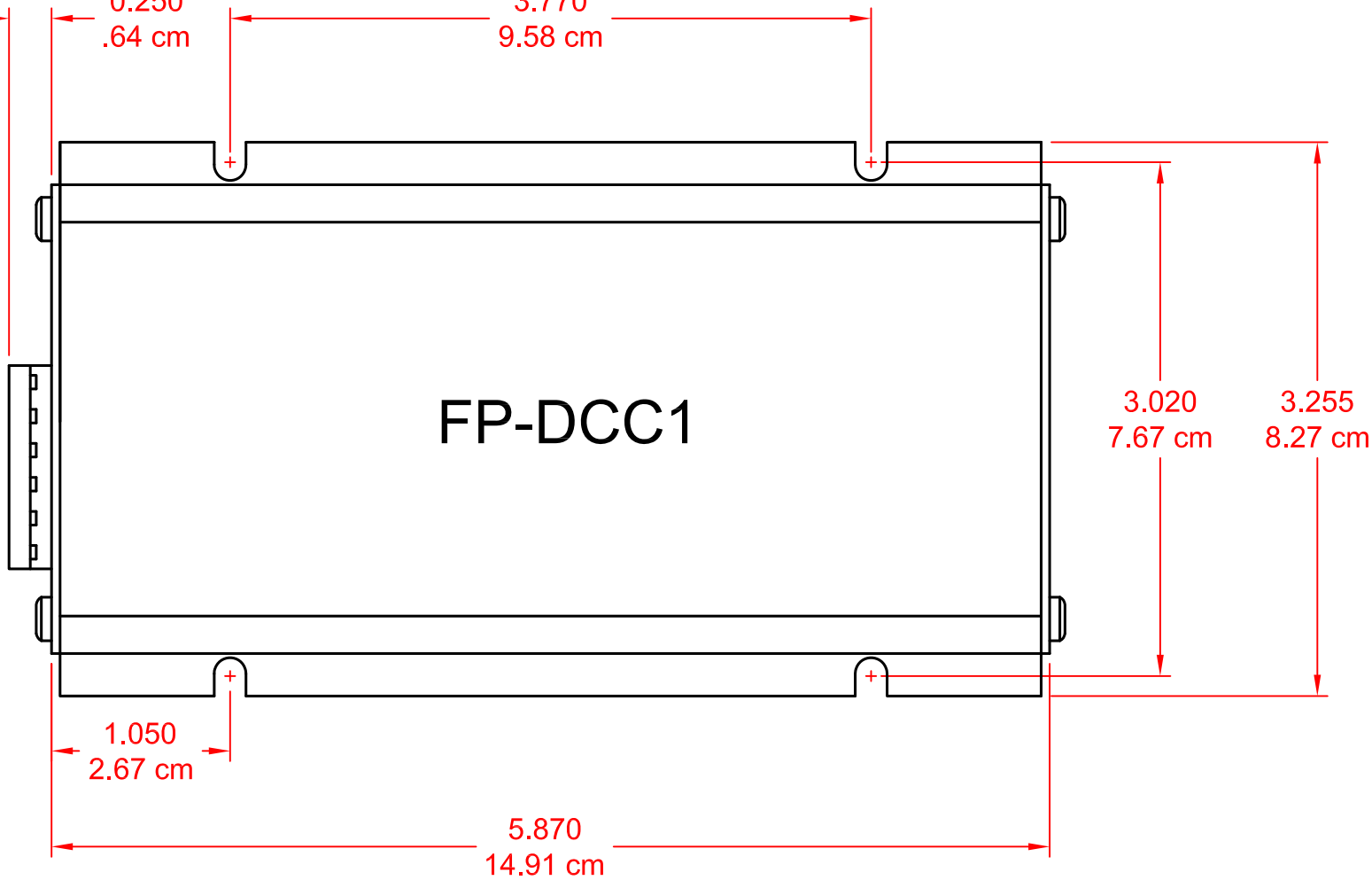
0.440
1.12 cm

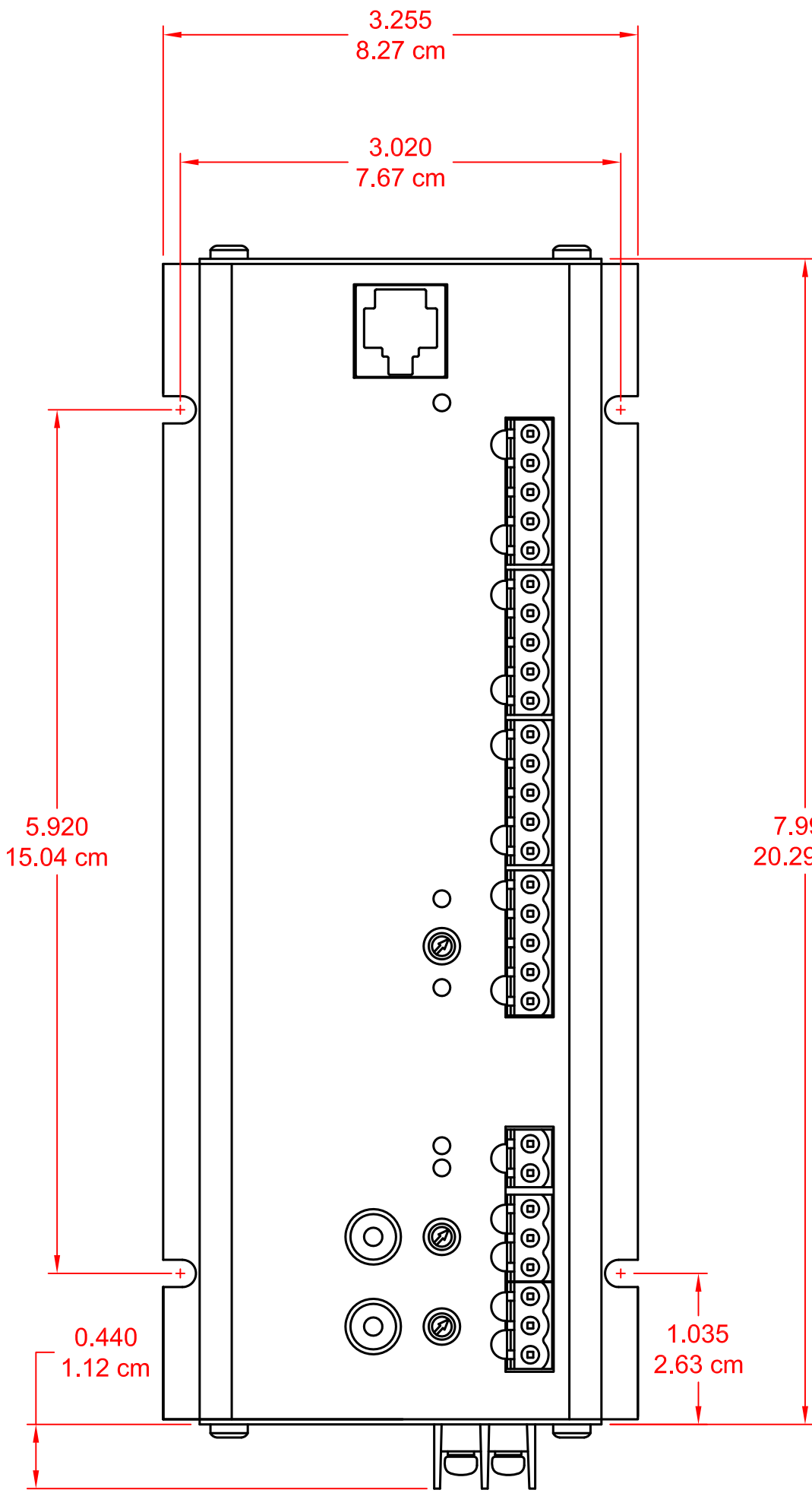
2.180
5.54 cm



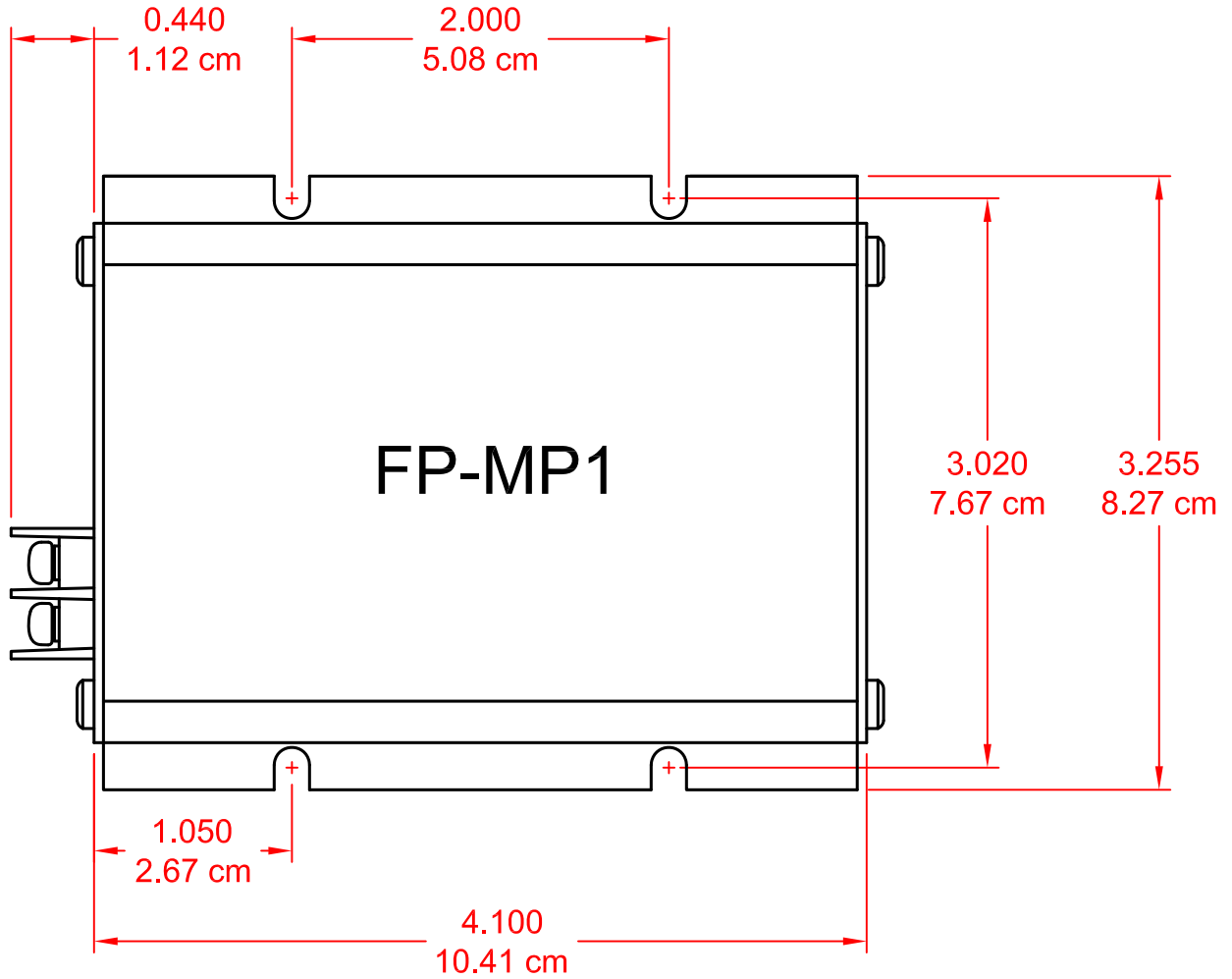
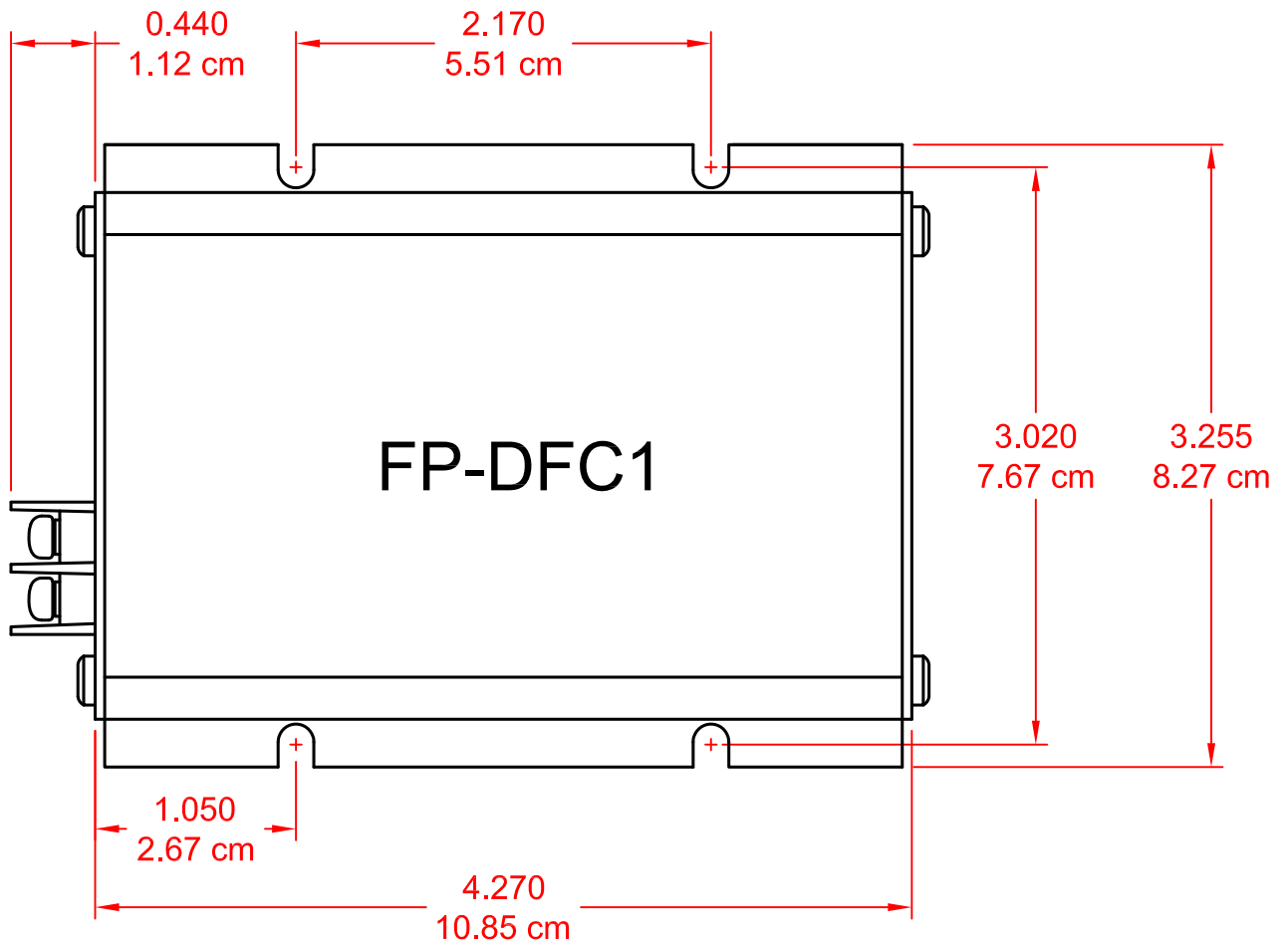
0.250
.64 cm

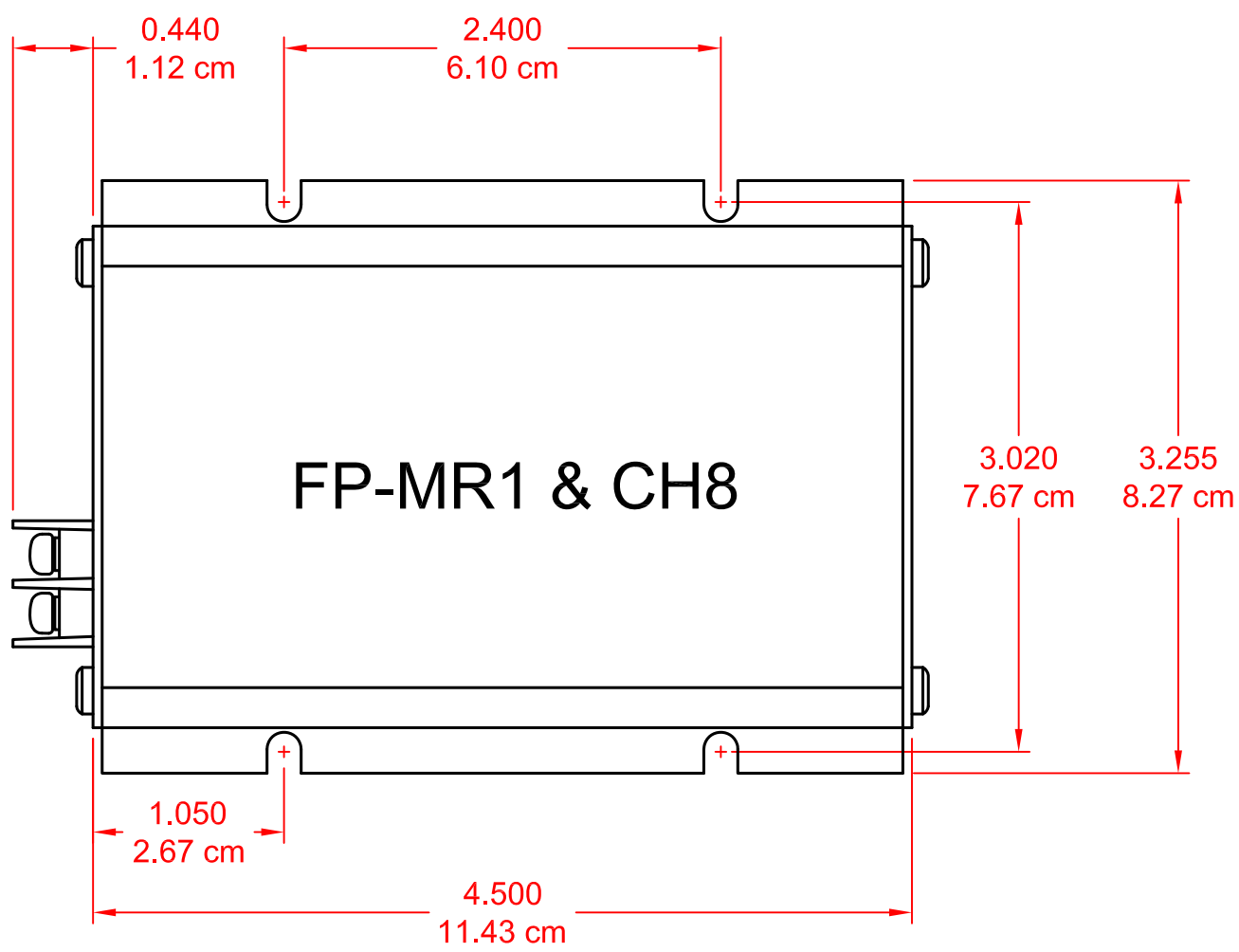
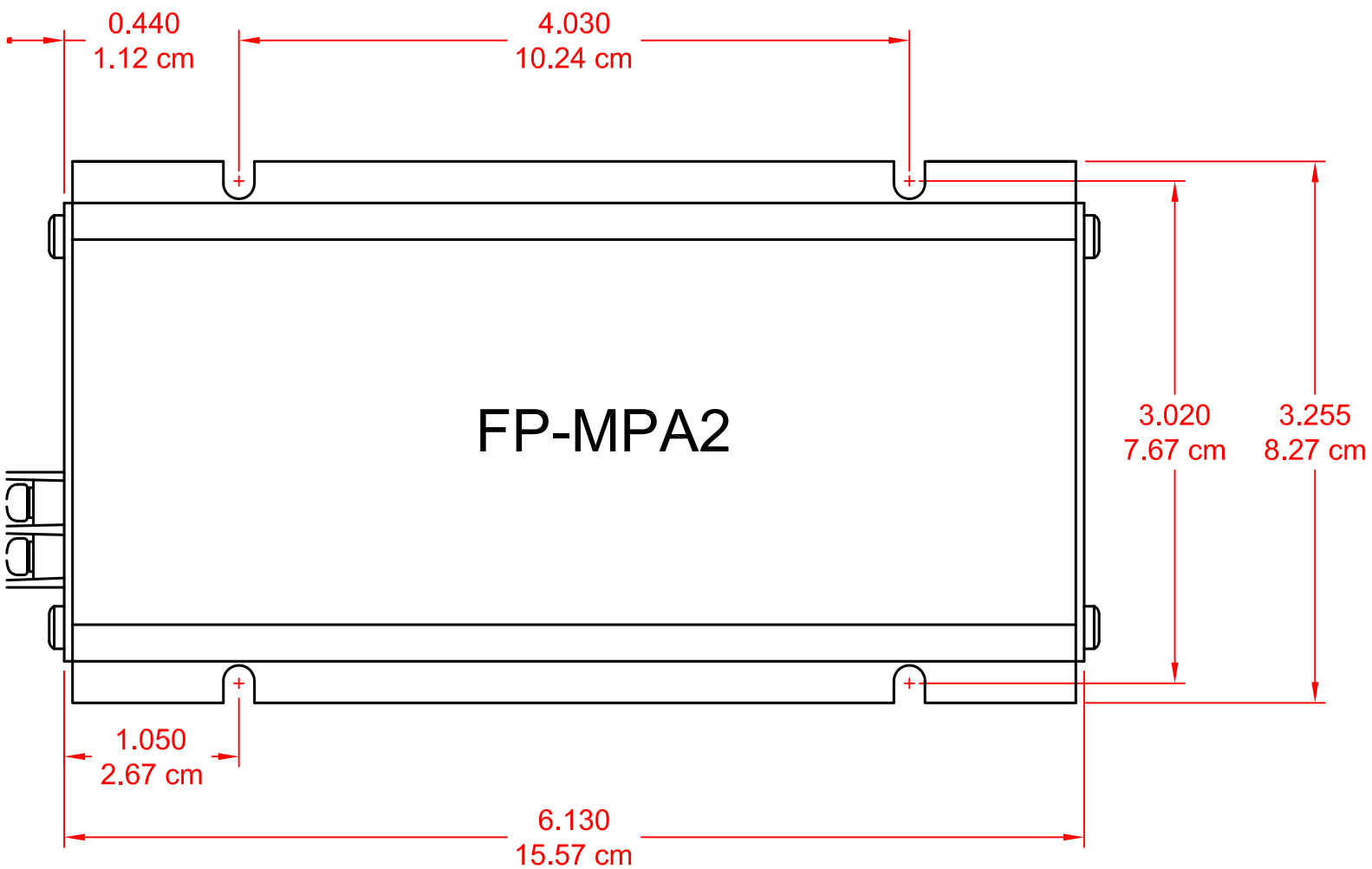
3.770
9.58 cm

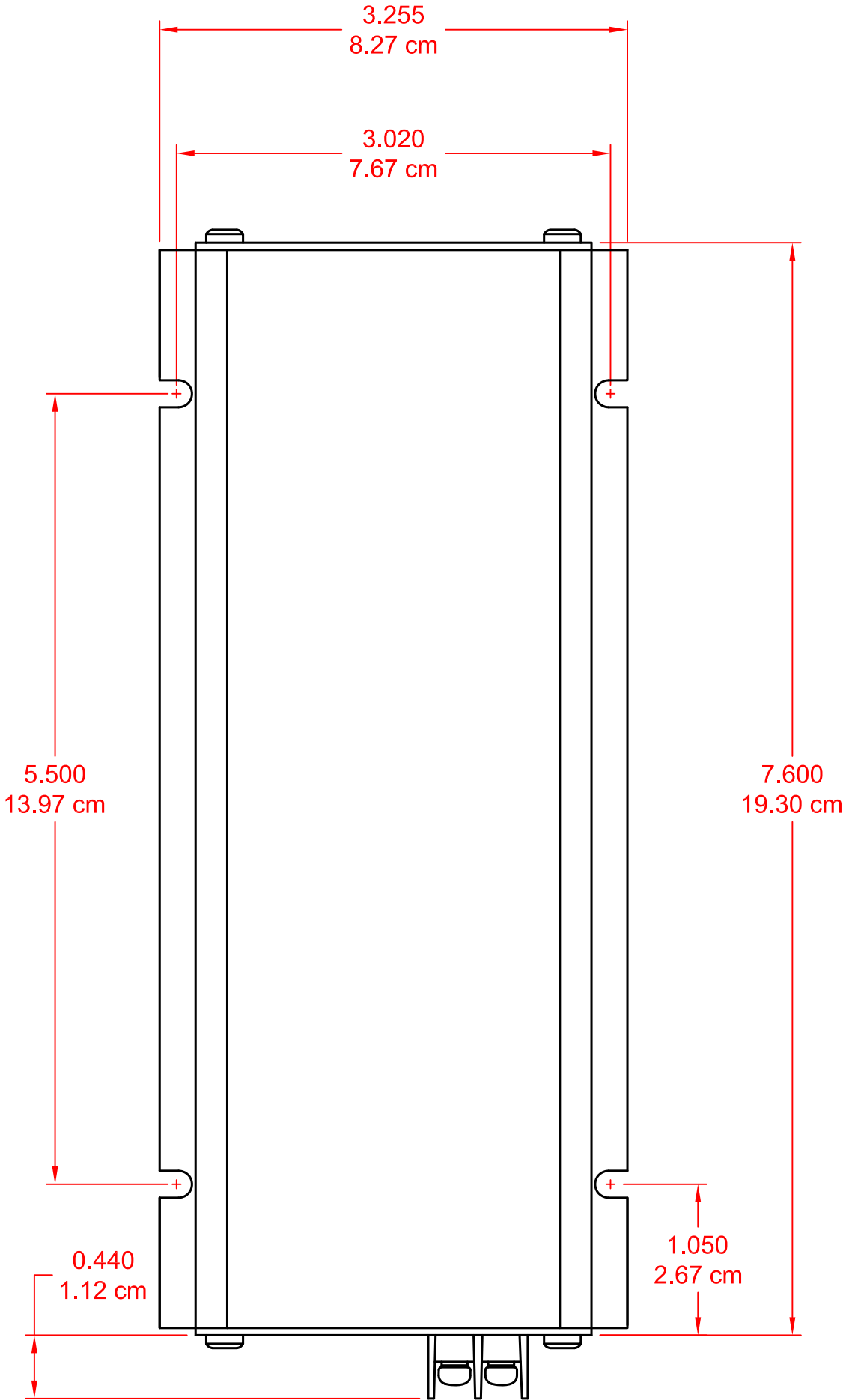




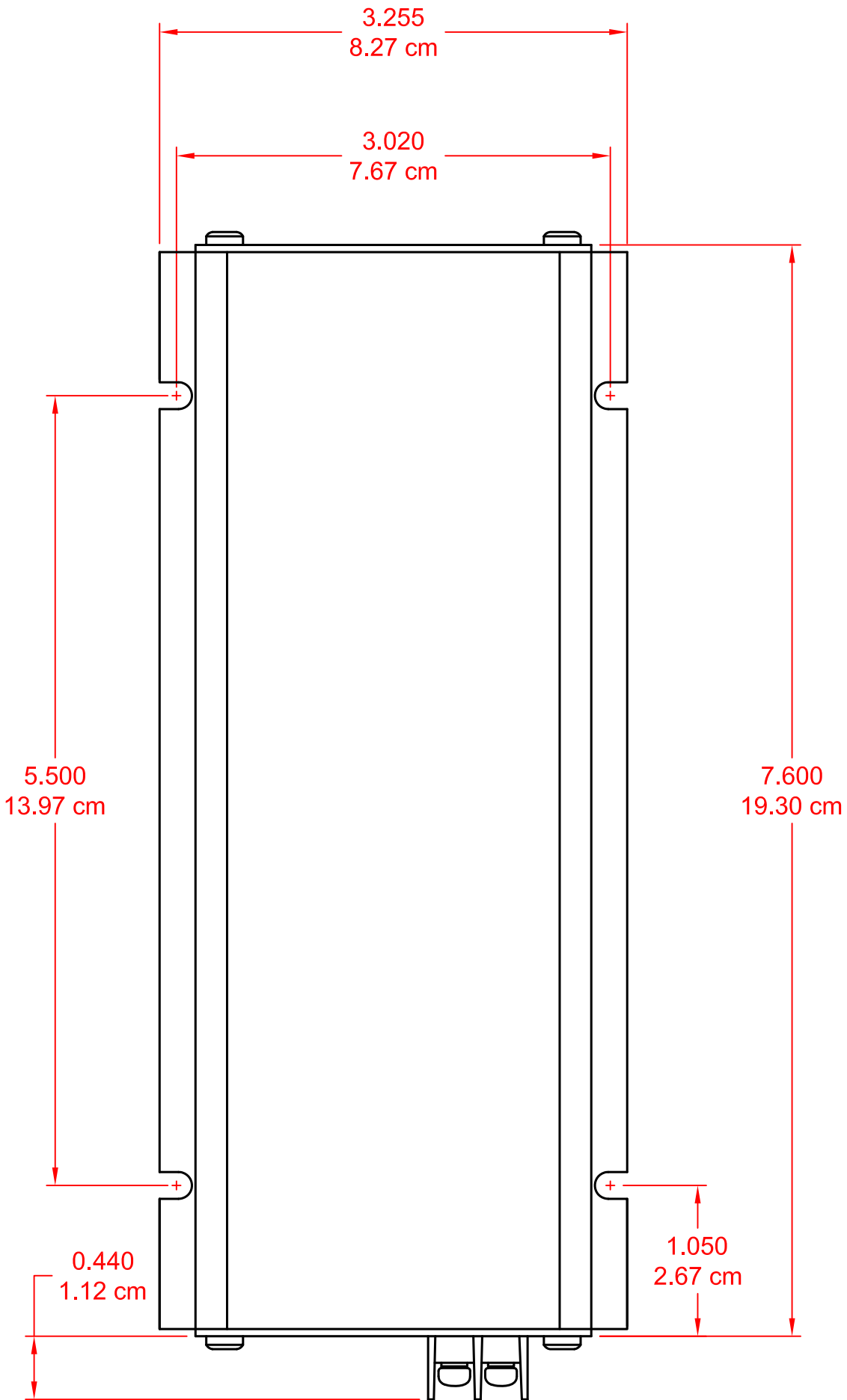
FP-ECC1







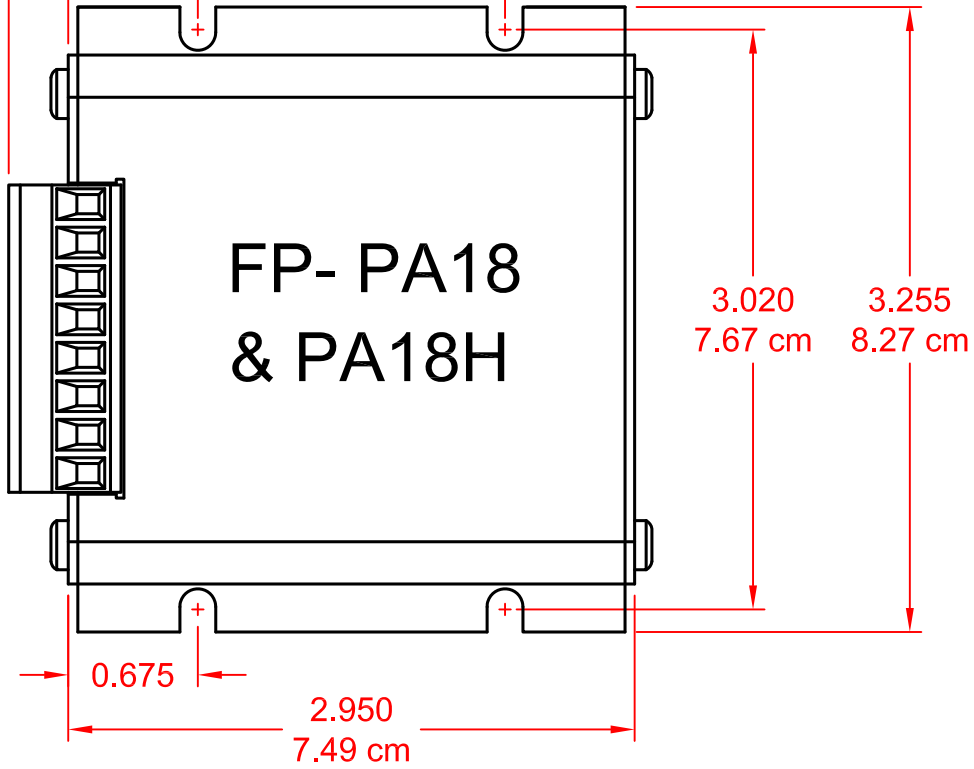
FP-MX3R
FP-TPX3A



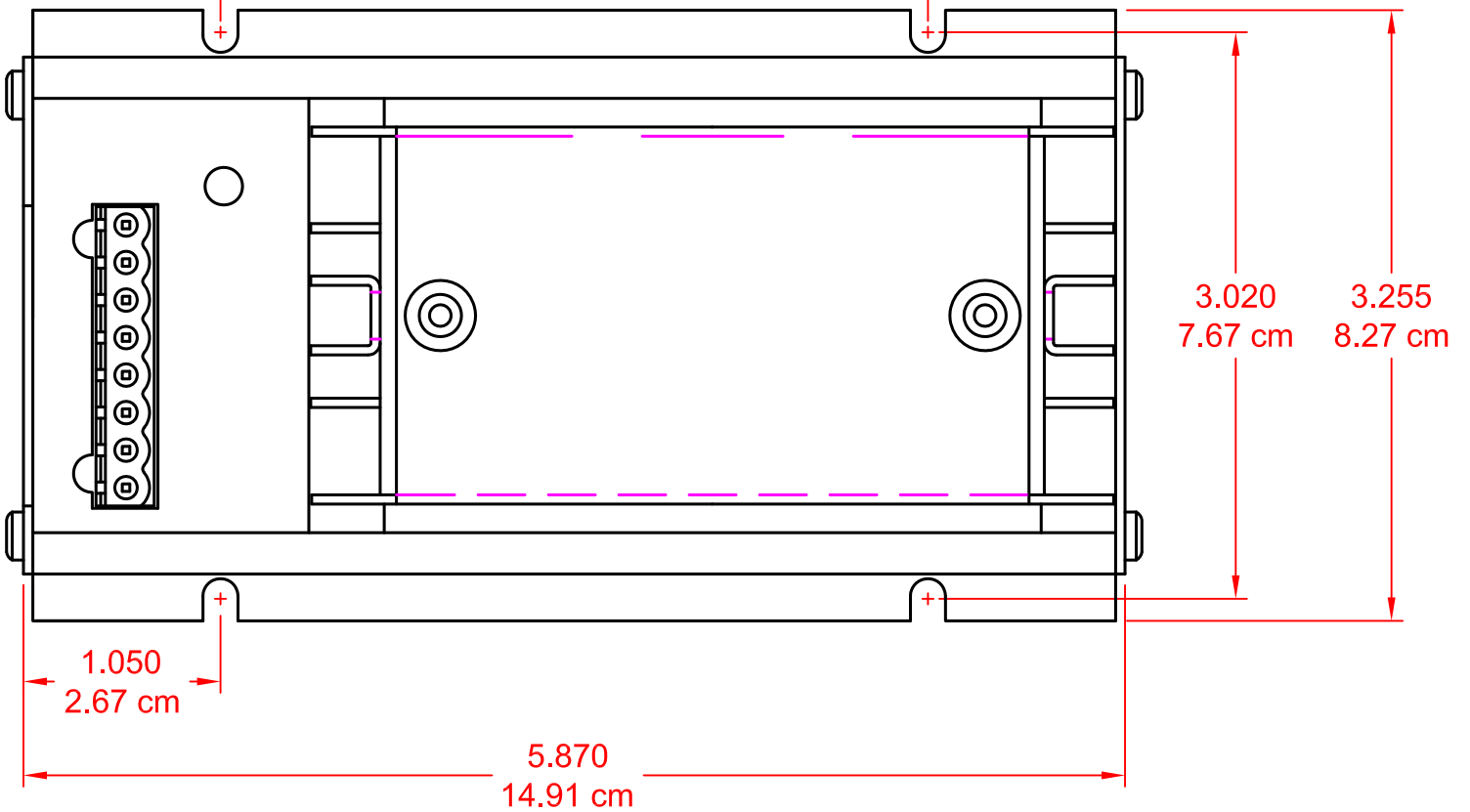
FP-MX4

0.310
.79 cm

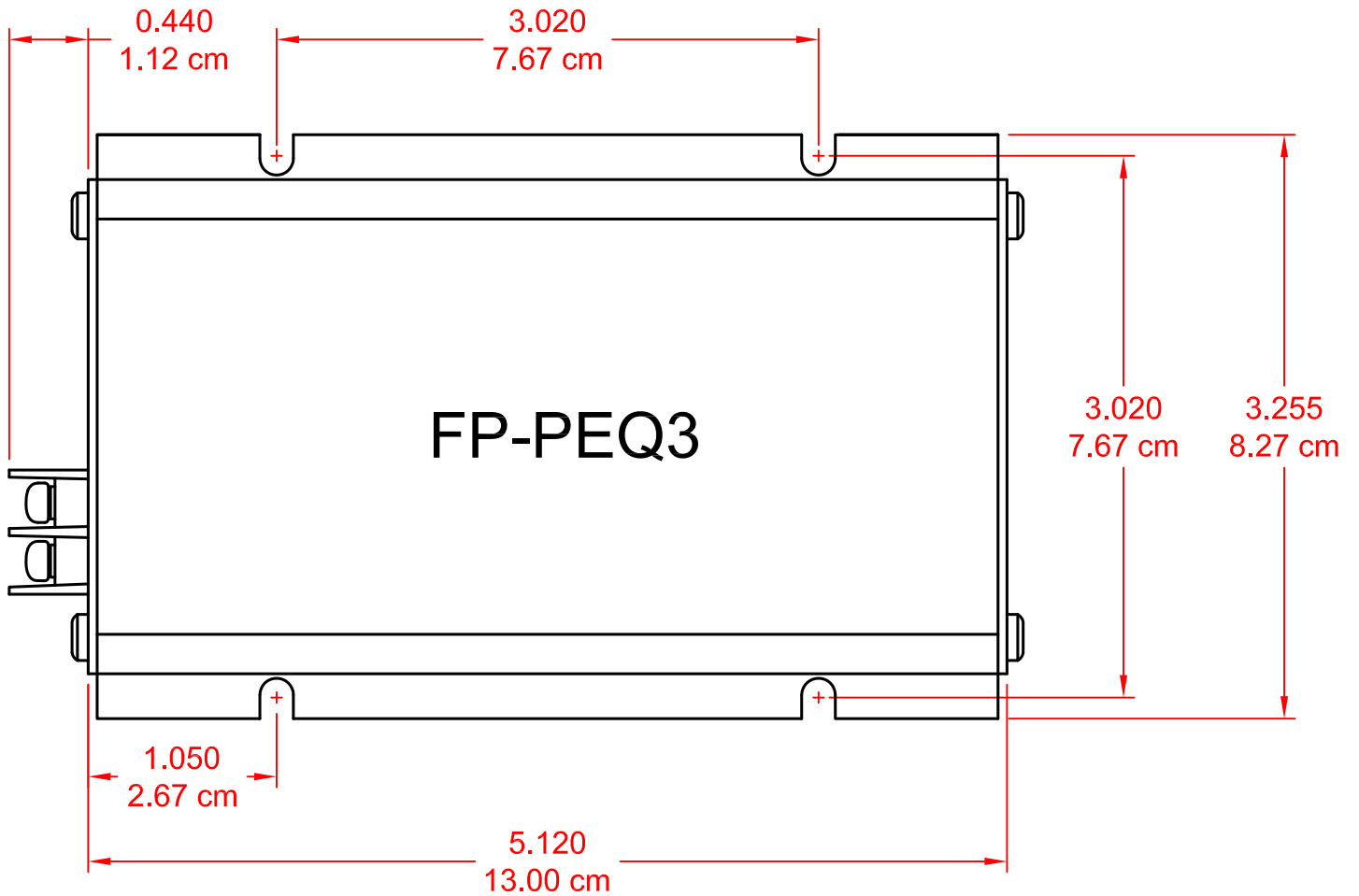
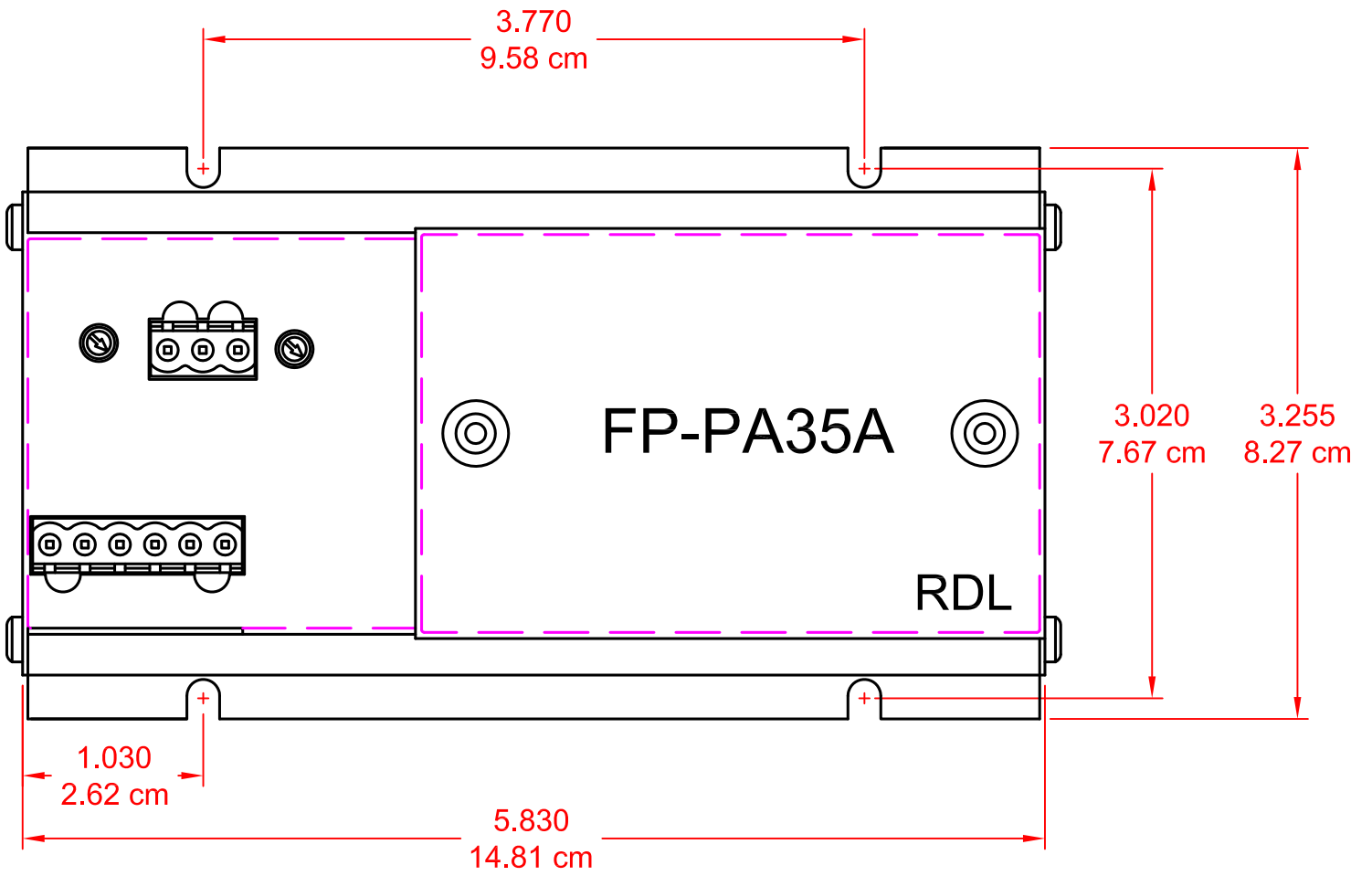
1.600
4.06 cm



3.770
9.58 cm

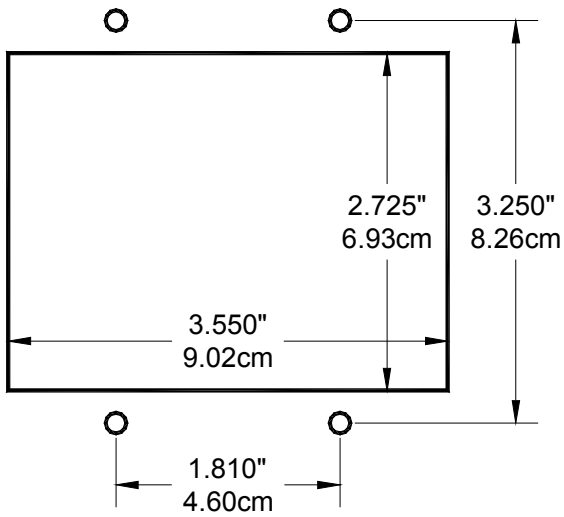


FP-PA20 / PA20A / PA20B

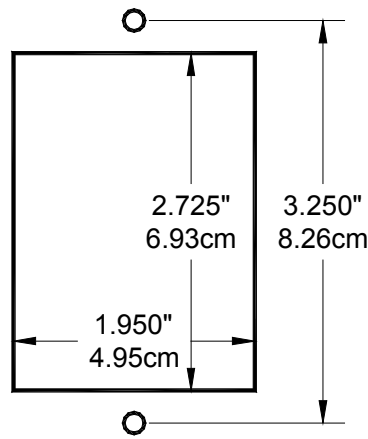


BACKBOX MOUNTING CLEARANCES

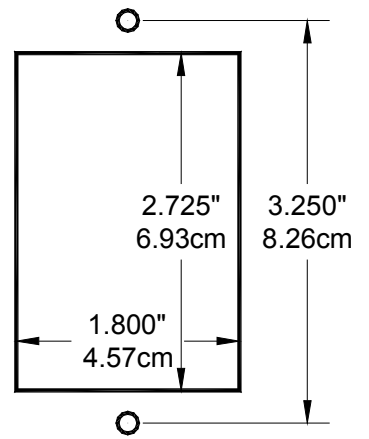
RCX-1, RCX-2, RCX-3



RCX-10R



RCX-J1, RCX-J2, RCX-J3, RCX-A2

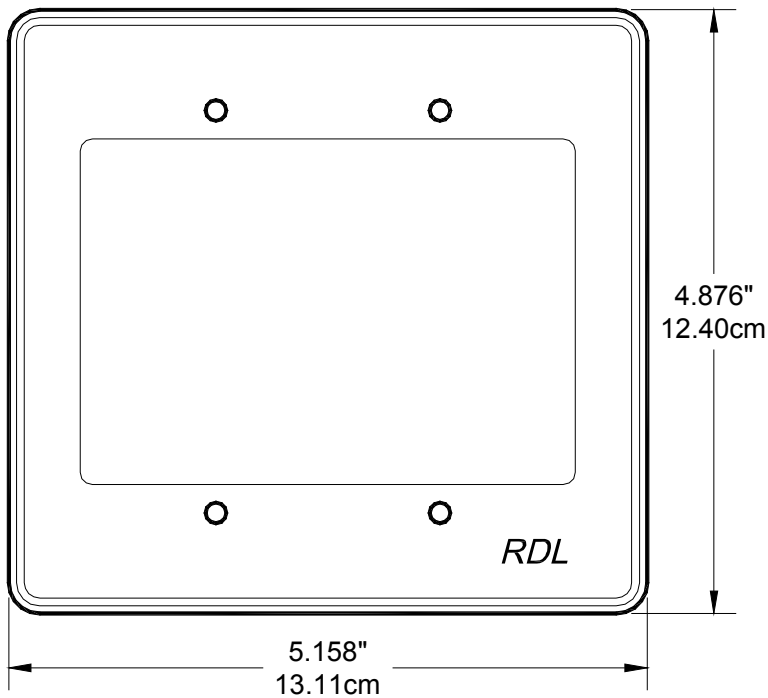


RCX-1,2 DEPTH REQUIREMENT - 1.500" (3.81cm)
 RCX-3 DEPTH REQUIREMENT - 1.900" (4.83cm)

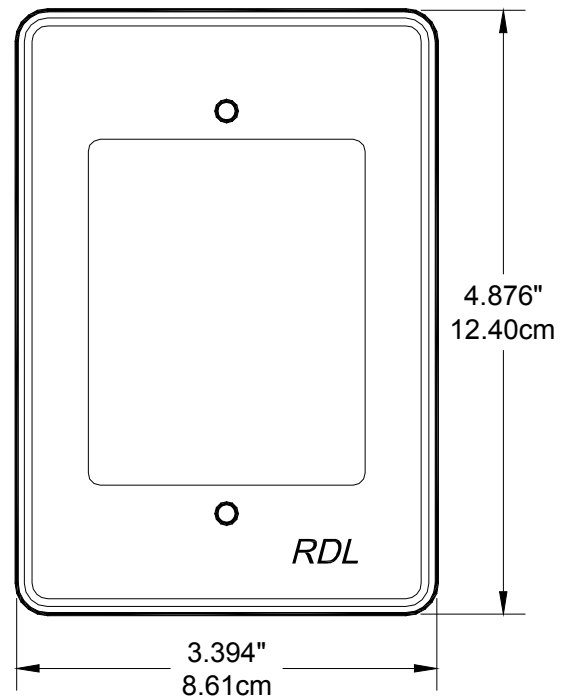
RCX-10R, RCX-J1, RCX-J2, RCX-J3, RCX-A2
 DEPTH REQUIREMENT - 1.500" (3.81cm)

PANEL MOUNTING DIMENSIONS

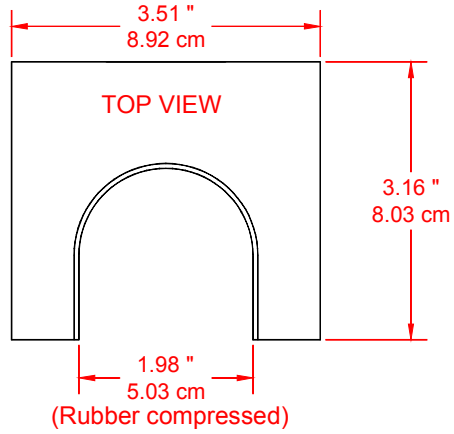
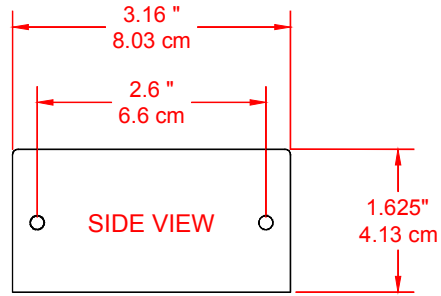
RCX-1, RCX-2, RCX-3



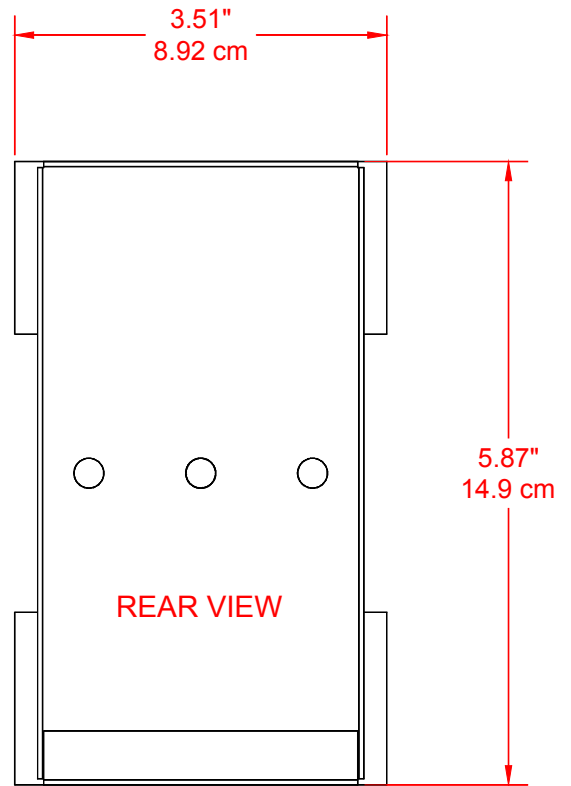
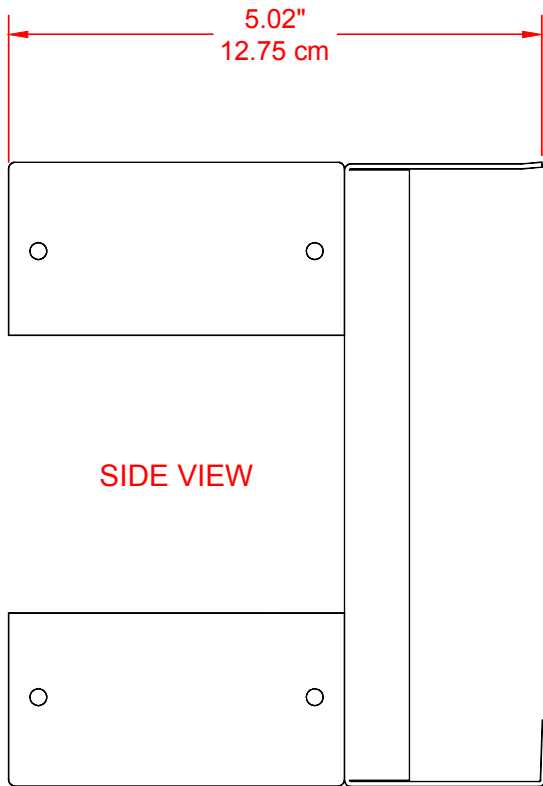
RCX-10R, RCX-J1, RCX-J2, RCX-J3, RCX-A2



POLE MOUNT BRACKET DIMENSIONS



PM-1V
Kit includes 2 brackets



PM-20V